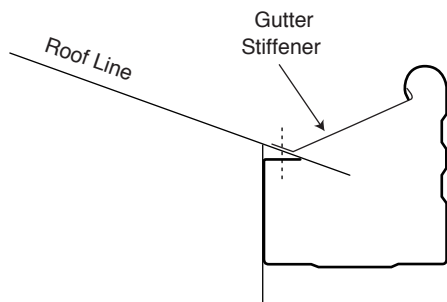


SQUARE FASCIA GUTTER Installation

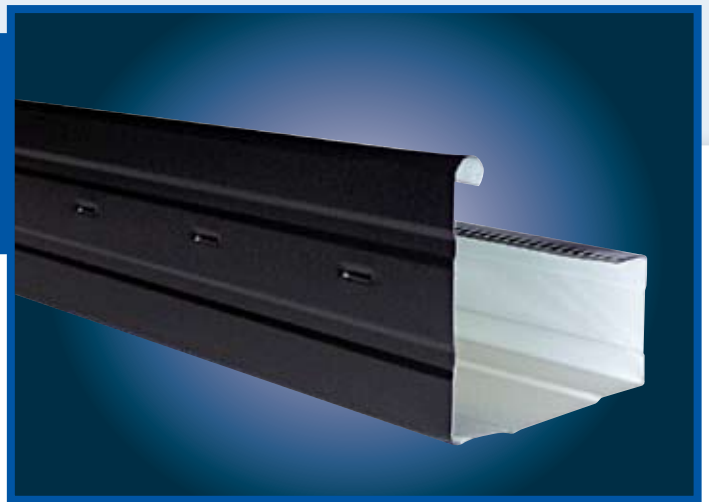
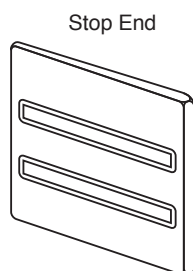
Stop ends

Pre-formed stop ends provide a neat finish to straight runs of gutter and require less labour and skill than site formed ends. However both methods require the use of rivets and a roofing type silicon sealant.



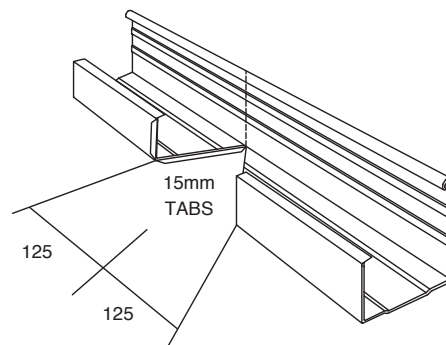
Fixing Instructions

1. Hold gutter hard up into the corner of where the top of the walls sheets meet the overhang of the roof sheets.
2. Fasten with the use of a screw or rivet through the roof sheet & into the return leg on the top of the back of the gutter.
3. Use the standard splice & slide method to join each length of gutter together. Rivet and Seal.
4. Ensure the gutter is fastened to the roof with this method at least every 900mm along the length of the gutter.
5. Then at maximum spaces of 1 metre, clip the gutter stiffener bracket into bead of the gutter, then with the use of a screw or rivet fasten the stiffener the bracket to the roof sheeting taking care to make sure the front of the gutter remains straight.



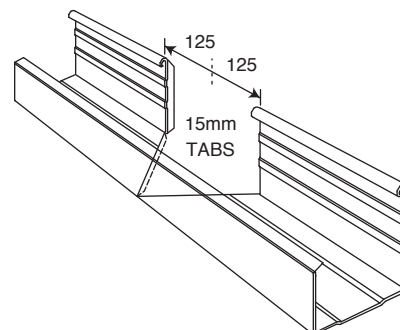
External Corners

Cut as shown in illustration, fold, rivet and seal.



Internal Corners

Cut as shown in illustration, fold, rivet and seal.



Gutter Joining

To produce a slip joint, notch gutter as shown in the illustration. Insert reduced end into normal end, rivet and seal.

