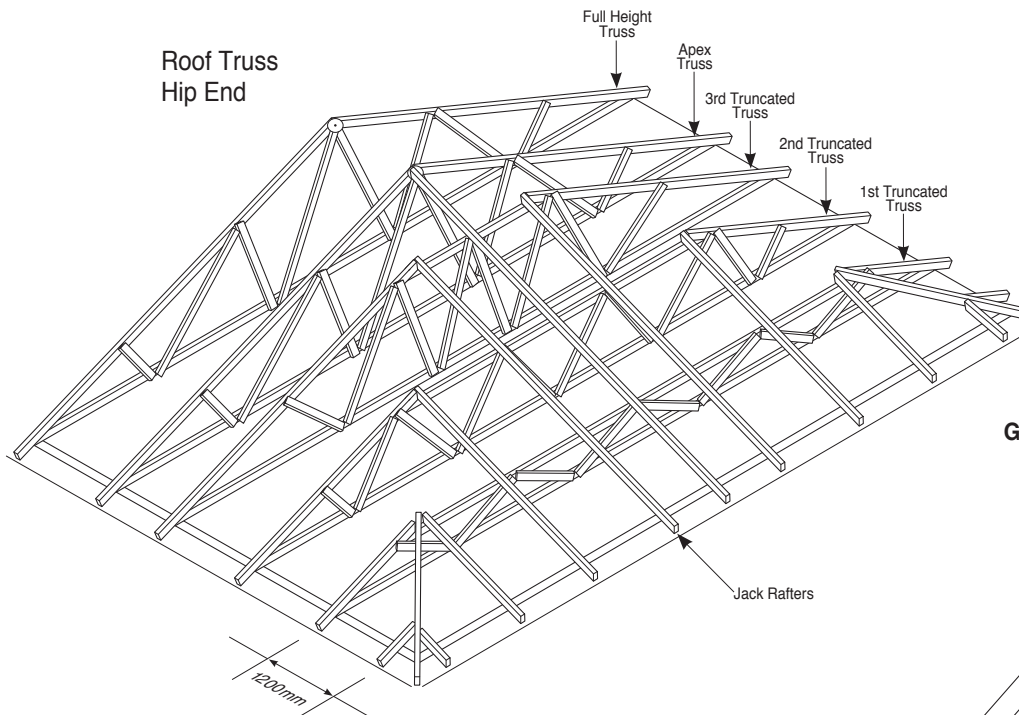
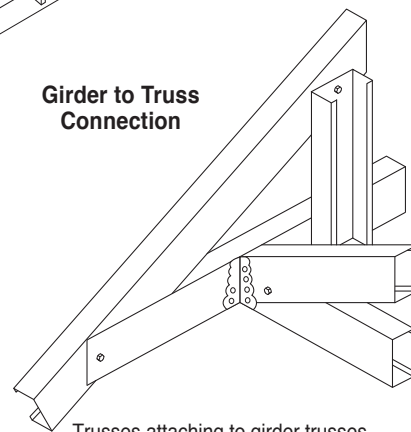


HOUSE FRAMING - Roof Truss



90mm Roof Truss
 Spec - .75mm & 1.0mm
 G550 AZ-150 Truecore®

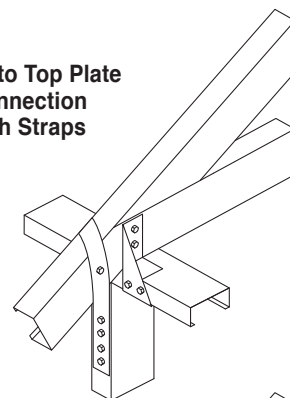
Girder to Truss Connection



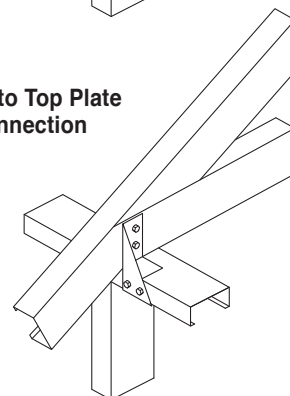
Trusses attaching to girder trusses to be connected with a 'Pryda' truss boot bracket or similar

Fix with screws as per attached tables

Truss to Top Plate Connection with Straps



Truss to Top Plate Connection



Bridge Truss Connection Requirements with 10-16 x 16 Tek Screws						
Screw Quantity per Face	Maximum Truss Span					
	Design Wind Speed					
	N1	N2	N3	N4	C1	C2
2	10250	6750	3750	2250	3750	2250
3	14000+	10250	5750	3500	5750	3500
4	14000+	13750	7750	4750	7750	4750
5	14000+	14000+	9750	6000	9750	6000
6	14000+	14000+	11750	7250	11750	7250

Triple Grip Truss Chord or Top Plate (kN)								
Screw Quantity per Face	One Triple Grip		Two Triple Grip		Three Triple Grip		Four Triple Grip	
	10-16x16	12-14x20	10-16x16	12-14x20	10-16x16	12-14x20	10-16x16	12-14x20
2	2.35	2.52	4.70	5.04	7.06	7.55	9.41	10.07
3	3.53	3.78	7.06	7.55	10.58	11.33	14.11	15.11
4	4.70	5.04	9.41	10.07	14.11	15.11	18.82	20.14

Cyclone Straps to Truss Chord or Top Plate (kN)				
Screw Quantity per Face	One Cyclone Strap		Two Cyclone Straps	
	10-16x16	12-14x20	10-16x16	12-14x20
2	2.35	2.52	4.70	5.04
3	3.53	3.78	7.06	7.55

This capacity table is in addition to the triple grip connection capacity

