

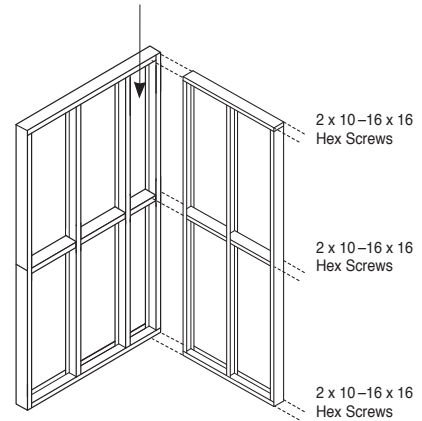
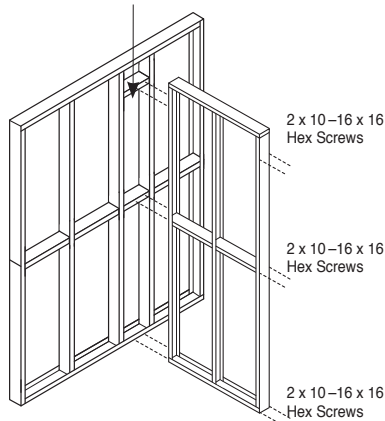
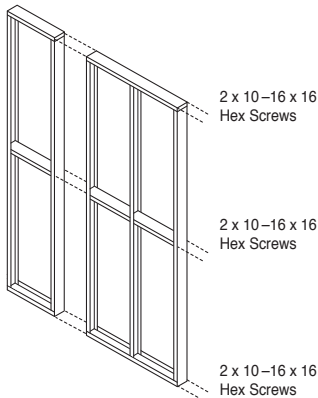
# HOUSE FRAMING - Wall Framing



In all cases shown a minimum of 6 x 10-16 x 16 screws required per connection

Where required it may be necessary to have an additional noggin dropped 150mm to achieve top connection

Bracing Panel

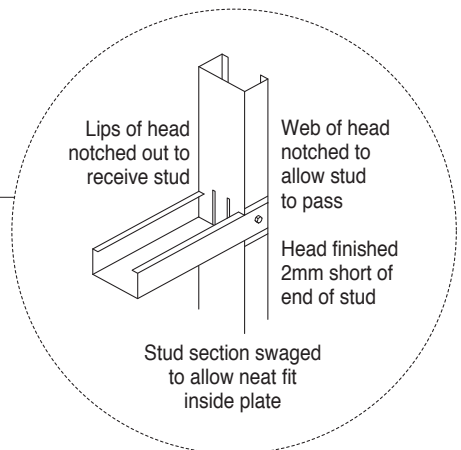
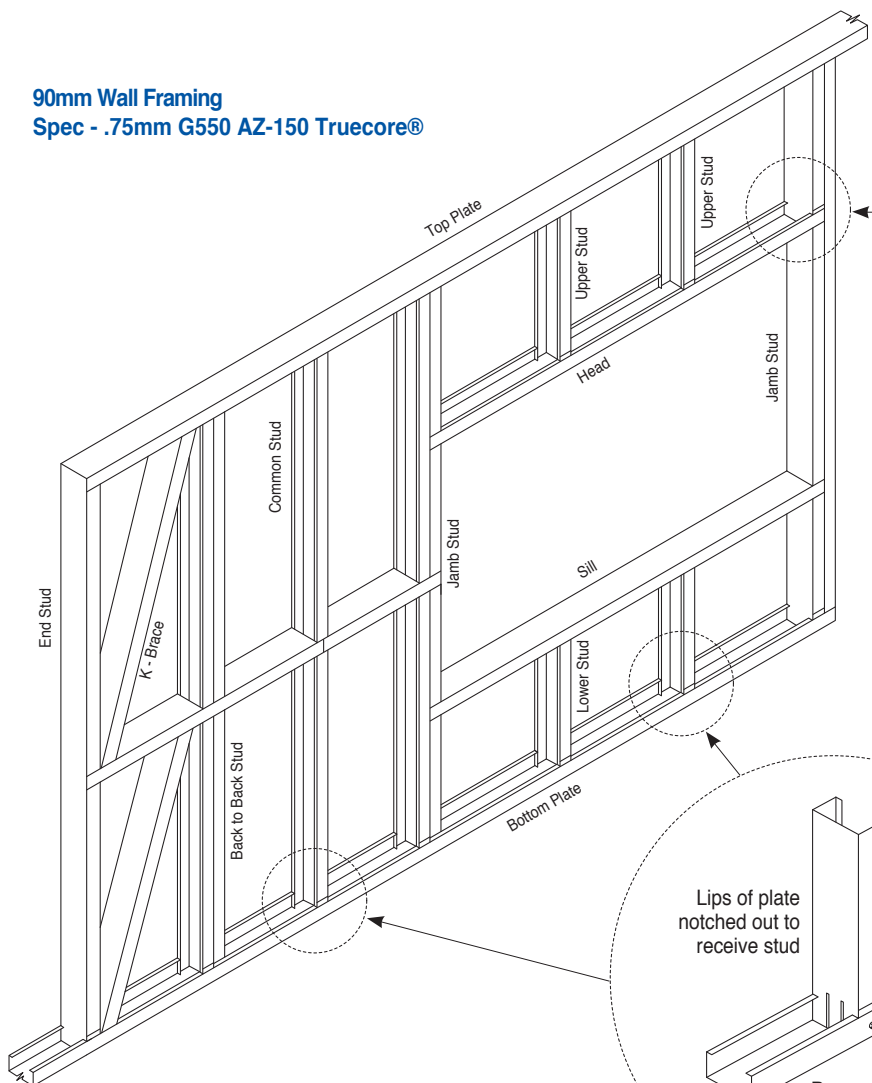


NOTE: For walls exceeding 2800mm in height, intermediate fasteners spacings are not to exceed 1400mm centres

Where the value of bracing in a panel exceeds a total raking resistance of 4.7kN, then the top set of screws should be supplemented with an additional M12 bolt set

Where a wall panel contains a bracing panel, then the quantity of screws should be increased to a minimum of three screws per location

90mm Wall Framing  
Spec - .75mm G550 AZ-150 Truecore®



**Bottom Plate Hold Down**

- Each end of each wall panel
- Each side of each opening
- Each side of each brace panel
- Each side of girder support studs
- Elsewhere not exceeding 1200mm

